



APPLICATION



LED Low-intensity L810 Double Aviation Obstruction Light

AH-LI-D2

This LED Low-intensity Double light is a steady burning (20/30/60fpm is adjustable) aviation obstruction light designed for marking top of obstacle that do not exceed 45 meters in height.

Main-standby mode ensure the obstacle is always marked even one light fail.

Compliance

- ICAO Annex 14 Volume 1, Seventh edition, 2016, table 6.3 Low Intensity Type A / B / E Obstruction Light
- FAA L-810

Features

Electrical

- **CREE LED**, make sure LED keep bright while use for long time
- **Power supply in DC(48V)& AC(110-240VAC)**, the light could work normally when input 48VDC/110VAC/240VAC

Physical

- Bird deterrent spike on top
- Unique designed PMMA lens for converging light and good transparency
- High translucency and anti-UV polycarbonate cover could use 3-5years without yellowing
- UV protection Powder coated bright yellow color base make better visibility and also long life in harsh environments()
- Base material is die casting aluminum which has strong corrosion resistance, Shock and Vibrations protection
- 3/4inch thread hole make pole installation easy
- **Safety chain** connected with base, the PCB won't fall while installation
- **No screw fix type - just twist, the cover will be fixed tightly**

System design

- **Built-in photocell** for day/night operation(dusk to dawn operation, automatically turn on when background luminance is below 50cd/m²)
- **Steady/20FPM/30FPM/60FPM** DIP switches on PCB
- Surge and lightning protection
- Main-standby mode, when the main light fail, the standby light automatically switch on to ensure the obstacle is always clearly marked.

Optional

- Alarm contact(Dry contact- NO COM NC) for remote monitoring
- Infrared LED for pilot using NVG

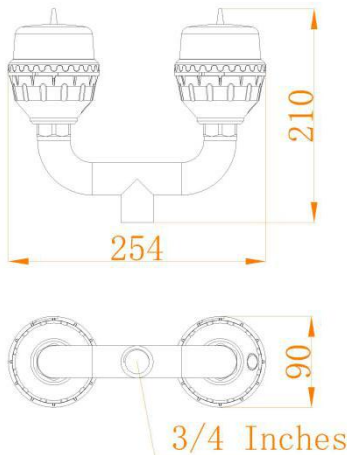
Application

- AH-LI-D2 low-intensity light could be used alone on the top of the High-rise Building, High Chimney, marking towers (Telecom, GSM, Microwave & TV), High Pole, Tower Crane, Wind Turbine, etc when the height is lower than 45m.

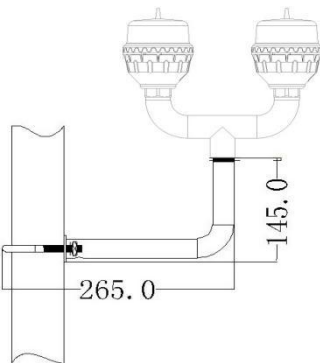
LED Low-intensity L810 Double Aviation Obstruction Light

AH-LI-D2

Dimension(mm)

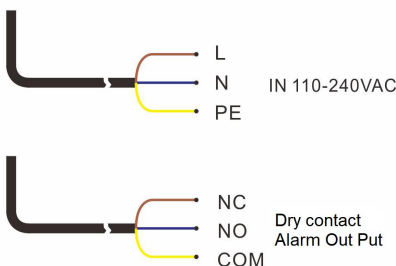


Installation



(Mounting bracket is charged separately, and size is customized)

Wiring diagram



SPECIFICATIONS

AH-LI-D2 LED Low-intensity L810 Double Aviation Obstruction Light

Light Characteristics

Light Source	LED
Available Colors	Red(Other color is optional)
Intensity(cd)	≥32.5cd(type B),others optional(10cd, 100cd,etc)
Horizontal Output(degrees)	360
Vertical Divergence(degrees)	≥10
Flash Characteristics	Steady-burning/20/30/60 adjustable
Working mode	Main & stand by(other modes are optional)
Operation Mode	Dusk-to-dawn Automatically as standard. 24hours operation as option.
LED Life Experience(hours)	>100,000

Electrical Characteristics

Operating Voltage	DC(12V, 48VDC) or AC(110-240VAC) or others
Power(W)	5
Lightning surge	IEC61000-4-5 L- N ±3kV IEC61000-4-5 L- PE ±6kV IEC61000-4-5 N- PE ±6kV IEC61000-4-2 Contact discharge 8kV
Electrostatic Circuit Protection	Integrated

Physical Characteristics

Body Material	Polycarbonate
Base Material	Die-casting aluminum
Mounting	3/4 inch pipe thread as standard. 1inch as option
Dimension(mm)	254×210×90
Weight(kg)	1.5
Product Life Expectancy	5 years plus

Environmental Factors

Ambient Temperature(°C)	-40~55
Storage temperature(°C)	-55~70
Humidity	10%-95%RH(No condensation)
Wind Speed	240Km/h
Waterproof	IP66

Compliance

ICAO	Annex 14 Volume 1,'Aerodrome Design and Operations' Seventh edition July 2016, table 6.3 Low-intensity Type A/B/E Obstacle Light L-810
FAA	L-810

Options Available

Flashing rate	
NVG(Night Vision Goggles) compatible LED	
GSM Monitoring	
Alarm output(NO COM NC)	
GPS sync flashing	

LED Low-intensity L810 Double Aviation Obstruction Light

AH-LI-D2

Configuration

Model	Power input	Flash rate	Photocell	Dry contact Alarm	GPS sync flashing	Control
AH-LI-D2	110-240VAC 12VDC 36VDC 48VDC	Steady 20FPM 30FPM 60FPM 40FPM	Built-in Photocell No Photocell	Alarm No Alarm	NO SYNC GPS SNYC	Used alone Used with controller

Remark: The first line is the factory setting if no special request.

Photometric

